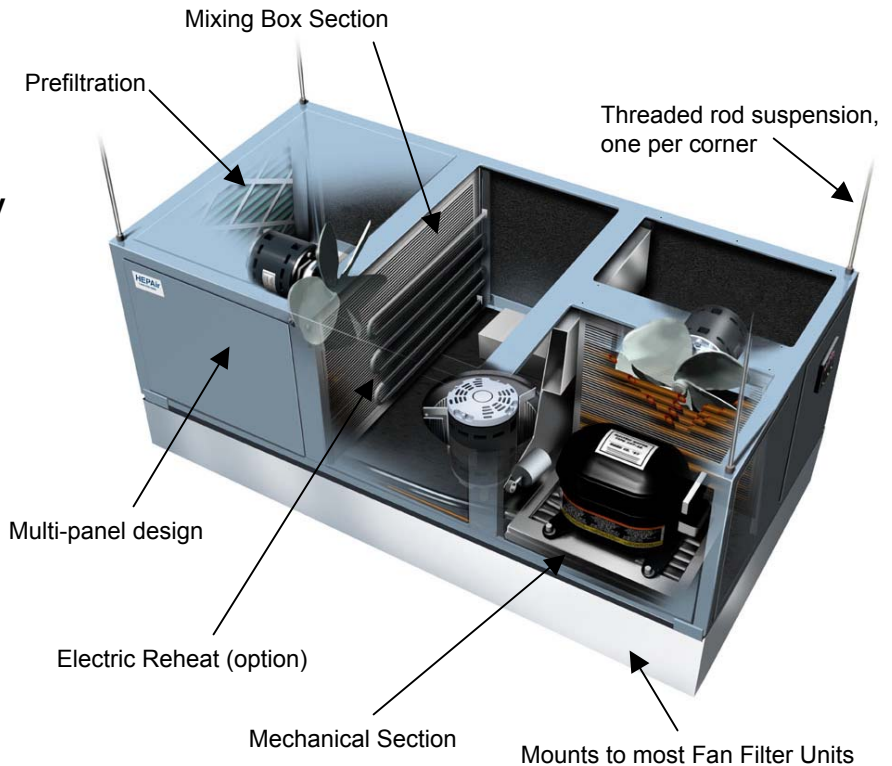


HEPAir. The only fully integrated modular HVAC system specifically designed and manufactured for cleanroom and hi-tech industries.

HEPAir Controls:
Temperature
Humidity
Pressure
Cleanliness

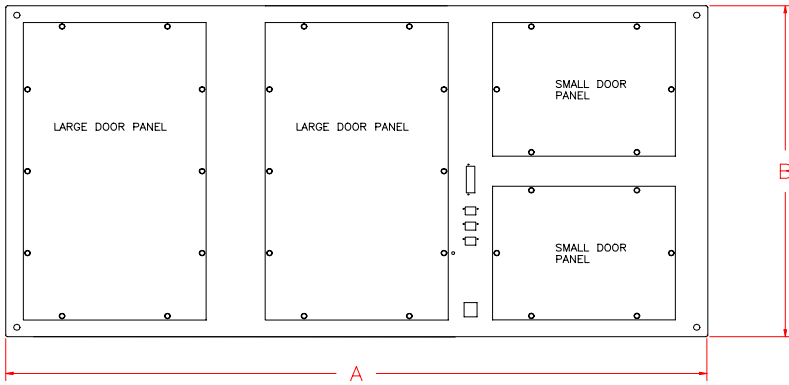


Standard Features

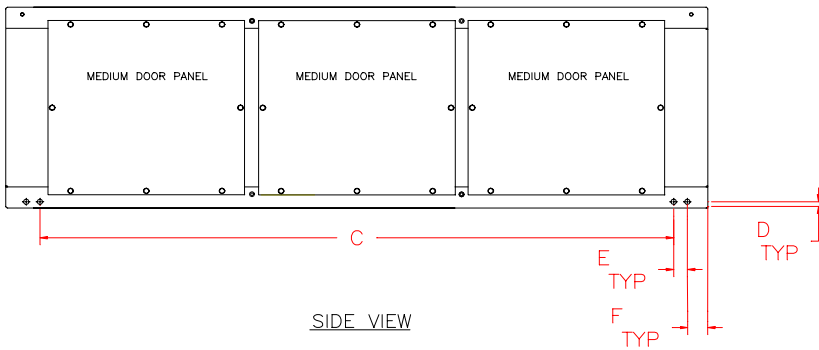
- 1/4 Ton through 2 Ton capacities
- Multi-panel design provides easy access for service.
- Light weight all-aluminum outer body.
- Mounts directly to most Fan Filter Units or can be remote mounted.
- Multiple supply and return air openings
- Completely self contained design
- Factory tested prior to shipment
- UL and CSA Approved
- 7/24 factory service hotline support

Options

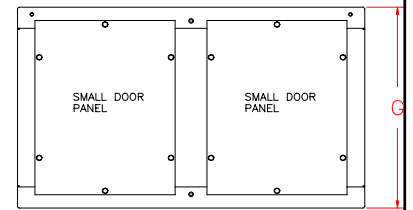
- Self contained air cooled or integral water cooled condensers.
- Integral stainless steel humidification
- PID Temperature and/or Humidity control
- High static pressure plug fans
- Integral HEPA filtration, UV lighting, and Chemical filtration
- Electric Reheat
- Duct Collars



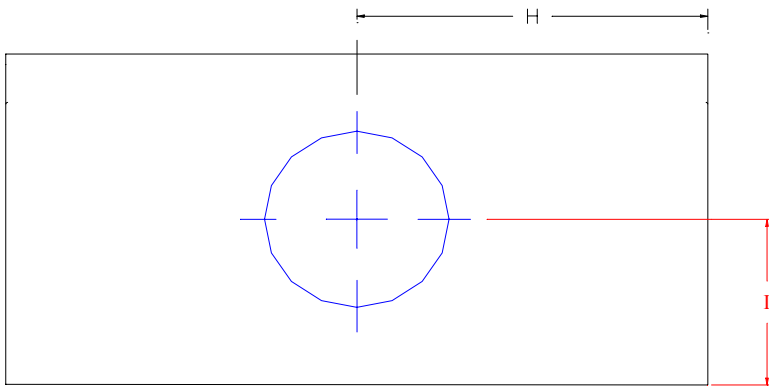
TOP VIEW



SIDE VIEW



END VIEW



Bottom View

MODEL		A	B	C	D	E	F	G	H	I
HEPAir-1/2 Ton	in.	47.50	23.50	42.88	0.44	0.93	1.38	14.25	23.74	11.76
	cm.	120.65	59.69	108.92	1.12	2.36	3.51	36.20	60.30	29.87
HEPAir-1Ton	in.	47.50	23.50	42.88	0.44	0.93	1.38	14.25	23.74	11.76
	cm.	120.65	59.69	108.92	1.12	2.36	3.51	36.20	60.30	29.87
HEPAir-2 Ton	in.	47.50	23.50	42.88	0.44	0.93	1.38	18.25	23.74	11.76
	cm.	120.65	59.69	108.92	1.12	2.36	3.51	46.36	60.30	29.87